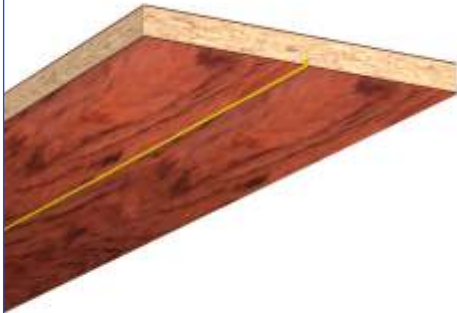


HW

– dente a profilo conico



D	B3	B4	B1		d	Z	COD.
80	3.1	4.2	2.2		20	12	0342082031
90	3.1	4.2	2.2		22	12	0342092212
90	3.1	4.2	2.2		30	12	0342093031
100	3.1	4.2	2.2		20	24	0342102031
110	3.1	4.2	2.2		20	24	0342112031
115	3.1	4.2	2.2		20	24	0342152031
120	3.1	4.2	2.2		20	24	0342202031
120	3.4	4.6	2.2		20	24	0342202034
125	3.1	4.2	2.2		20	24	0342252031
125	3.4	4.6	2.2		20	24	0342252034
125	3.1	4.2	2.2		22	24	0342252231
125	3.1	4.2	2.2		30	24	0342253031
125	3.1	4.2	2.2		45	24	0342254531
125	3.4	4.6	2.2		45	24	0342254534
125	4.3	5.5	3.0		20	24	0342252043
125	4.3	5.5	3.0		22	24	0342252243
125	4.3	5.5	3.0		30	24	0342253043
125	4.3	5.5	3.0		45	24	0342254543
150	3.1	4.2	2.5		20	36	0342502031
150	3.1	4.2	2.5		30	36	0342503031
150	3.4	4.6	2.5		30	36	0342503034
150	4.3	5.5	3.0		20	36	0342502043
150	4.3	5.5	3.0		30	36	0342503043
150	4.3	5.5	3.0		50	36	0342505043
160	4.3	5.5	3.0	3x7/66	55	36	0342605543
180	4.3	5.5	3.0		45	36	0342804543
200	4.3	5.5	3.0		22	36	0342702243
200	4.3	5.5	3.0	2x9/110	65	36	0342706543



Conical scoring blade.
T.C.T. conical tooth.



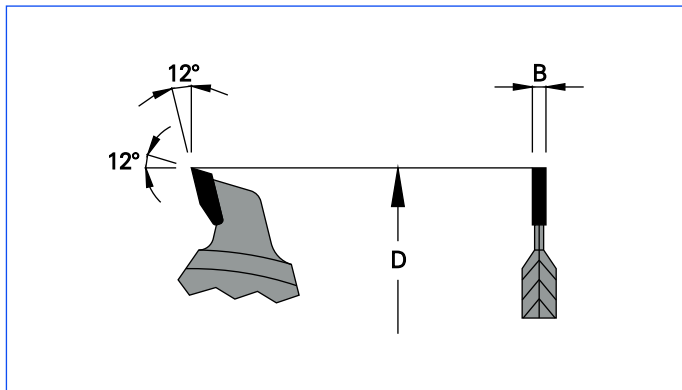
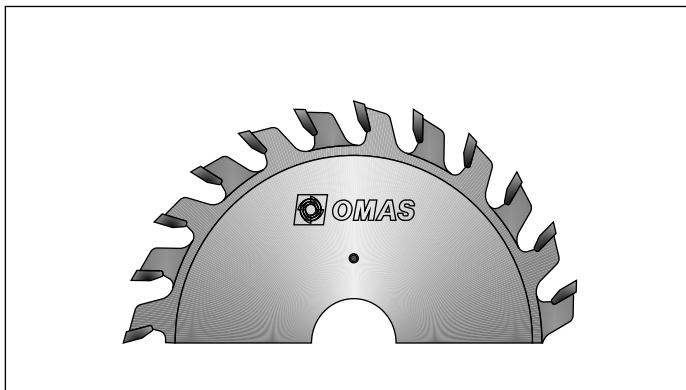
Sierra incisora cónica.
Diente cónico de metal duro.



Lame incisuse conique.
Denture conique en carbure.

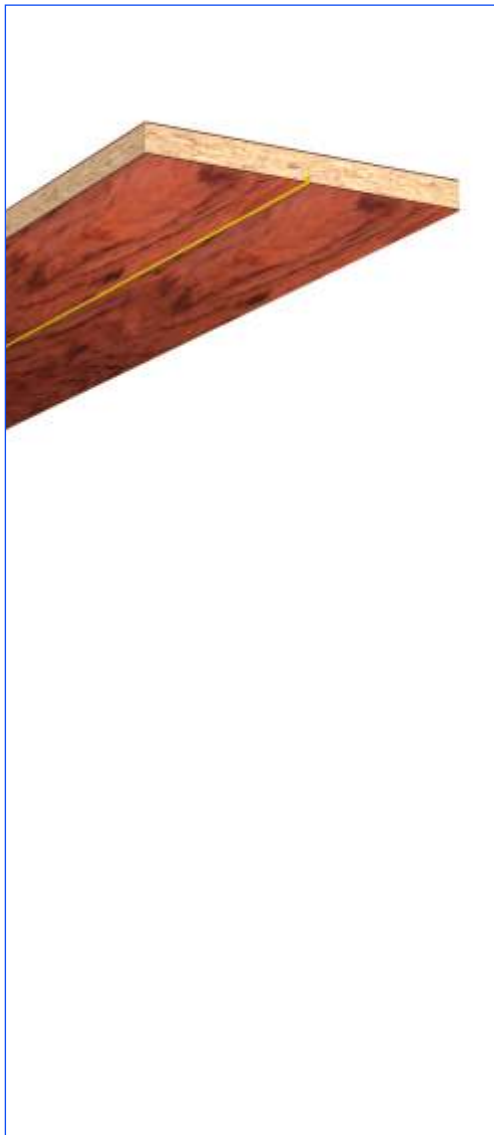


Konische Ritz - Kreissägeblatt.
Hartmetallbestückt Konischzahn.



HW

– dente piano



D	B	d	Z	COD.
80	2.8-3.6	20	10+10	0343082010
100	2.8-3.6	20	10+10	0343102010
100	2.8-3.6	22	10+10	0343102210
120	2.8-3.6	20	12+12	0343122012
120	2.8-3.6	22	12+12	0343122212
125	2.8-3.6	20	12+12	0343132012
125	2.8-3.6	30	12+12	0343133012



Scoring blade adjustable by spacers.
T.C.T. flat tooth.



Sierra incisora ajustable con anillos.
Diente recto de metal duro.



Lame inciseuse extensible par bagues.
Denture plate en carbure.



Verstellbar Ritz - Kreissägeblatt.
Hartmetallbestückt Flachzahn.