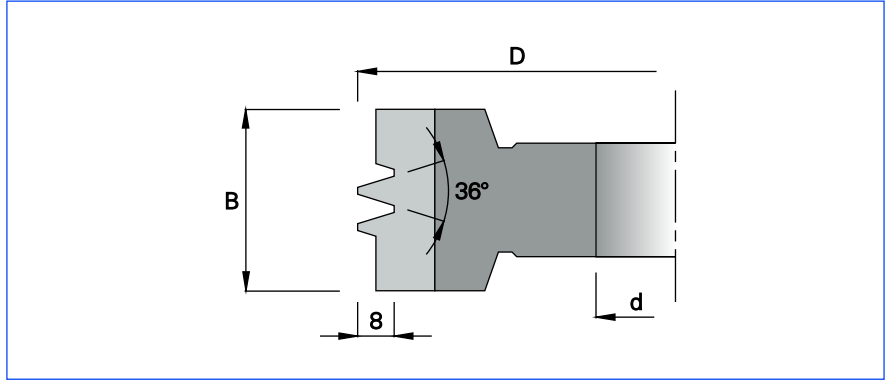
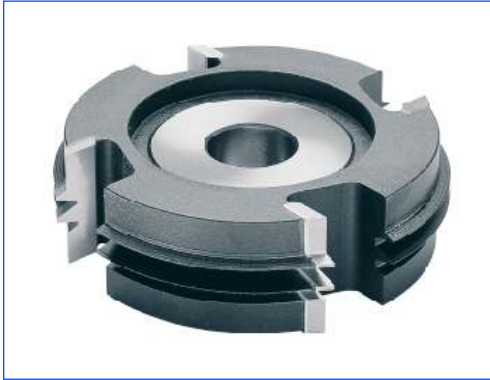


# K 223 - B

## Fresa per giunzioni

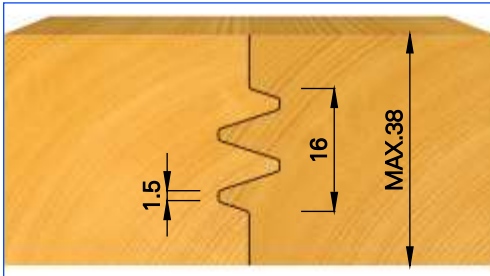


**HW**

**MAN**

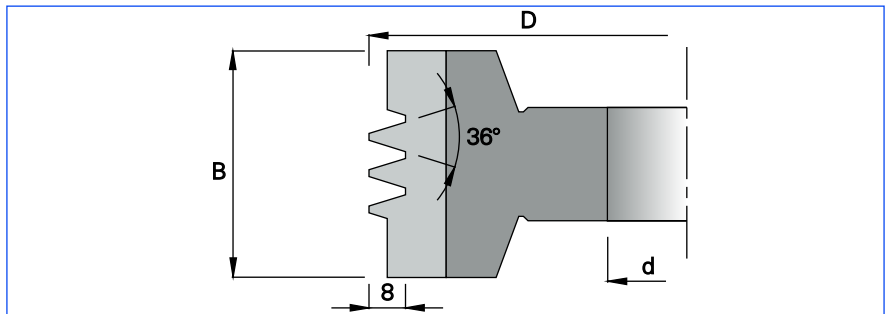
n 5500 - 8100

D	B	d	Z	COD.
140	40	30	4	K223B030HW
140	40	35	4	K223B035HW
140	40	40	4	K223B040HW
140	40	50	4	K223B050HW



# K 223 - C

## Fresa per giunzioni

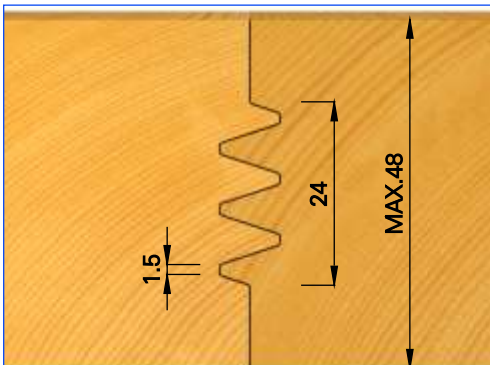



**HW**


**MAN**


n 5500 - 8100

D	B	d	Z	COD.
140	50	30	4	K223C030HW
140	50	35	4	K223C035HW
140	50	40	4	K223C040HW
140	50	50	4	K223C050HW

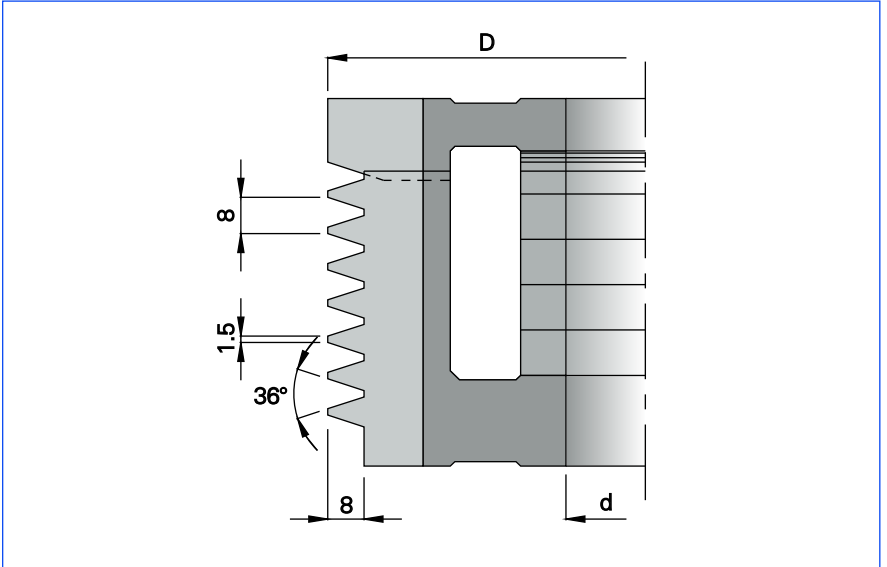


 Glue joint cutter.

 Fresa para juntas encoladas.

 Fraise à bouveter.

 Verleimfräser.

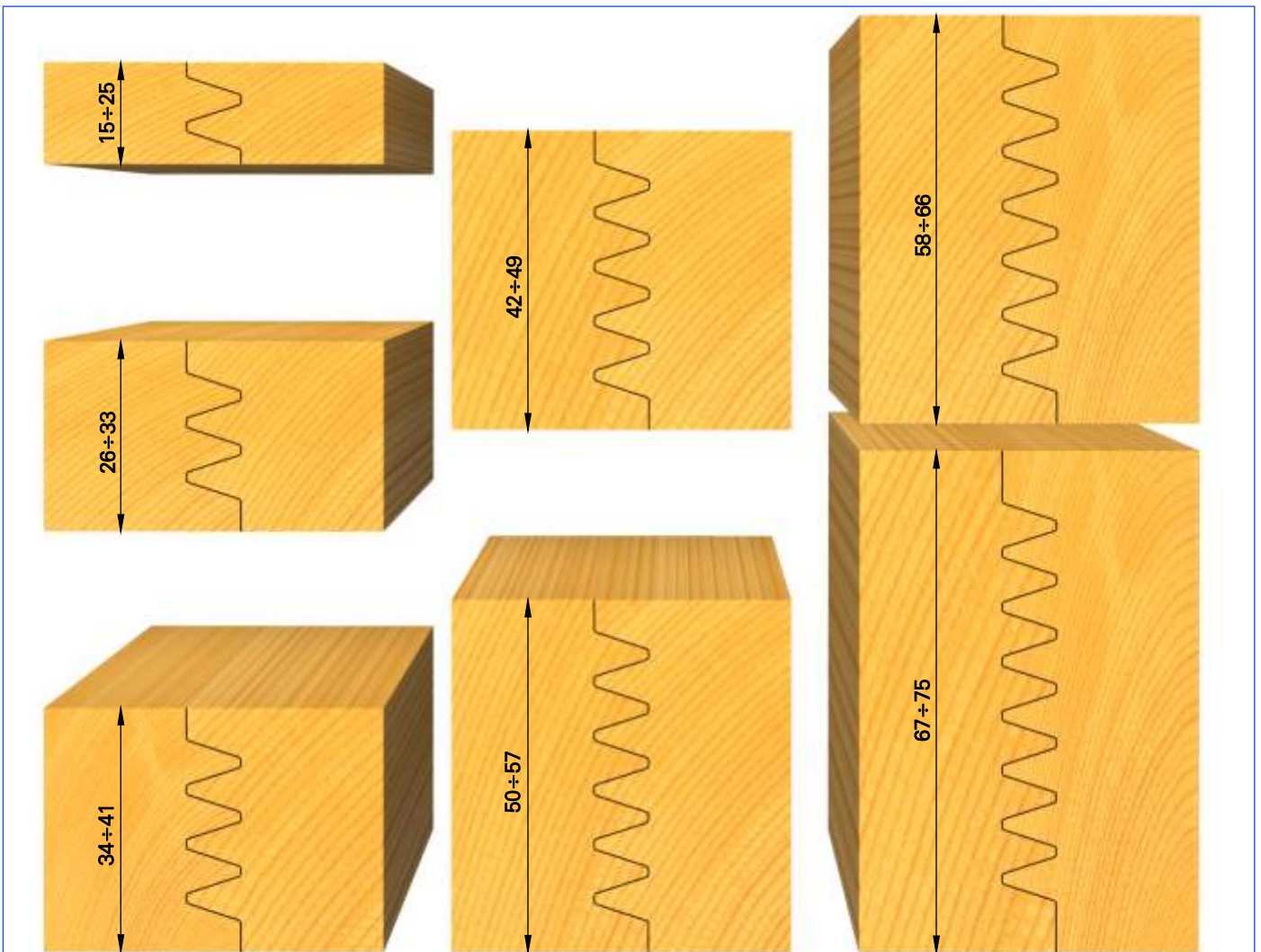


**HW**


**MEC**

n max 8100

D	d	Z	COD.
140	30	3	0223R030HW
140	35	3	0223R035HW
140	40	3	0223R040HW
140	50	3	0223R050HW



 Adjustable glue joint cutter.

 Fresa extensible para juntas encoladas.

 Fraise à bouvetier extensible.

 Verstellbar Verleimfräser.